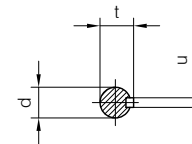
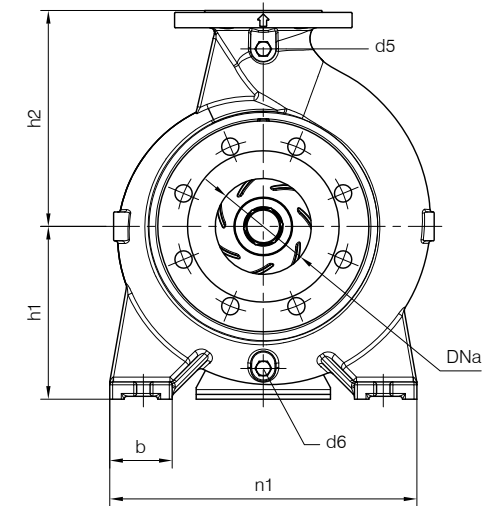


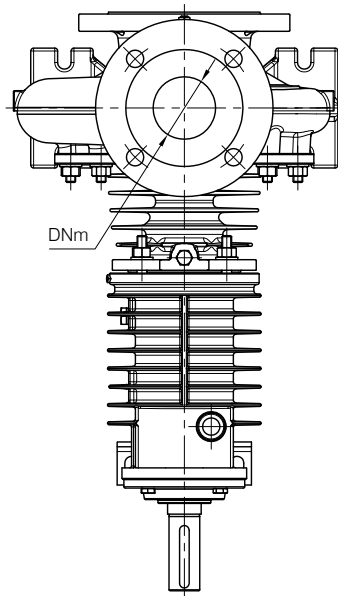
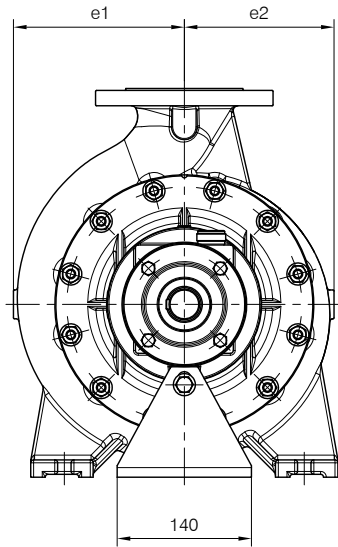
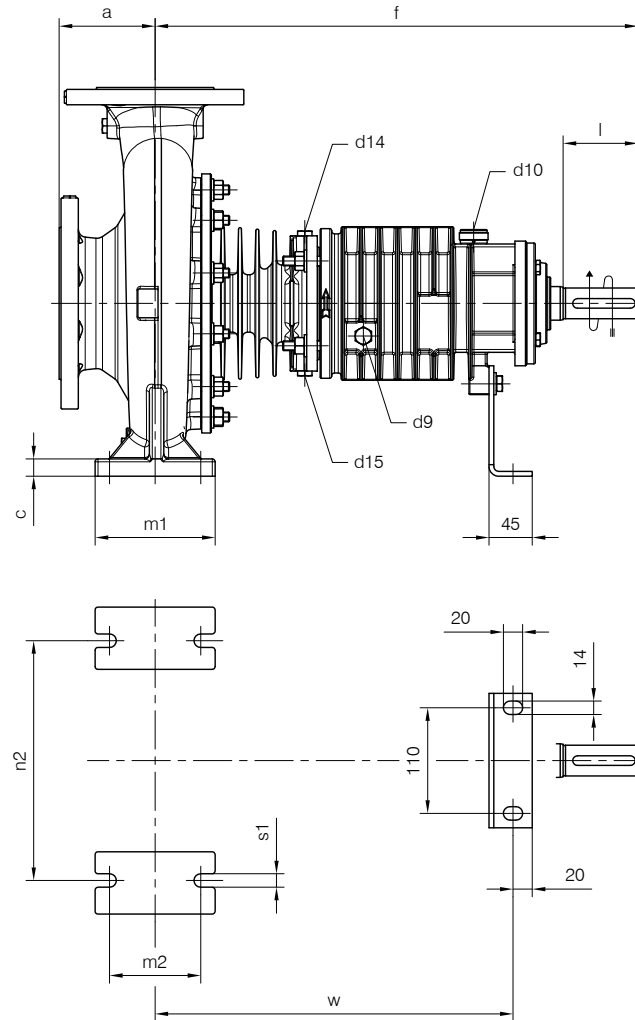


**BARESHAF** construction  
 According to ISO 2858 standards

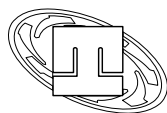


- d5 Attacco tappato - per manovotometro (vedi tabella)  
Plugged connection - for manovacuum gauge (see table)
- d6 Attacco tappato - per scarico corpo pompa (vedi tabella)  
Plugged connection - for pump casing drain (see table)
- d9 Attacco tappato G 1/4 - per scarico olio cuscinetti supporto  
G 1/4 plugged connection - bearings oil drain from housing
- d10 Tappo sfiato e carico olio G 1/2 - con astina di livello  
G 1/2 plug with dipstick - bearings oil filling into housing
- d14 Attacco tappato G 1/4 - per sfiato camera tenuta  
G 1/4 plugged connection - air-hole mechanical seal chamber
- d15 Attacco tappato G 1/4 - per scarico camera tenuta  
G 1/4 plugged connection - discharge for mechanical seal chamber

Versione ad **ASSE NUDO**  
 Unificate secondo ISO 2858

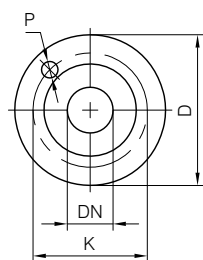


Connessioni filettate secondo UNI EN ISO 228-1. Disegno schematico. Dimensioni in mm con tolleranze secondo EN 735-1995. Pesii indicativi in Kg, riferiti a pompe in ghisa escluso motore, non impegnativi.  
 Threaded connection according to UNI EN ISO 228-1. Schematic drawing. Dimensions in mm with tolerances according to EN 735-1995 standards. Weights in Kgs, referred to pumps in cast iron without motor, not binding.



POMPA TIPO Pump type	Dimensioni costruttive Construction dimensions																				Peso Weight	
	gr.	DNa	DNm	a	f	h1	h2	b	c	m1	m2	n1	n2	s1	w	d	l	t	u	e1		e2
25-125	1	40	25	80	385	112	140	50	15	100	70	190	140	14	285	24	50	27	8	95	90	23
25-160	1	40	25	80	385	132	160	50	16	100	70	240	190	14	285	24	50	27	8	110	108	30
25-200	1	40	25	80	385	160	180	50	16	100	70	240	190	14	285	24	50	27	8	133	127	34
32-125	1	50	32	80	385	112	140	50	15	100	70	190	140	14	285	24	50	27	8	105	91	25
32-160	1	50	32	80	385	132	160	50	16	100	70	240	190	14	285	24	50	27	8	125	110	28
32-200	1	50	32	80	385	160	180	50	16	100	70	240	190	14	285	24	50	27	8	140	130	37
40-125	1	65	40	80	385	112	140	50	15	100	70	210	160	14	285	24	50	27	8	115	100	27
40-160	1	65	40	80	385	132	160	50	16	100	70	240	190	14	285	24	50	27	8	130	115	32
40-200	1	65	40	100	385	160	180	50	16	100	70	265	212	14	285	24	50	27	8	146	135	36
40-250	2	65	40	100	500	180	225	65	18	125	95	320	250	14	370	32	80	35	10	176	163	62
50-125	1	80	50	100	385	132	160	50	16	100	70	240	190	14	285	24	50	27	8	130	110	29
50-160	1	80	50	100	385	160	180	50	16	100	70	265	212	14	285	24	50	27	8	147	125	35
50-200	1	80	50	100	385	160	200	50	16	100	70	265	212	14	285	24	50	27	8	161	146	39
50-250	2	80	50	125	500	180	225	65	18	125	95	320	250	14	370	32	80	35	10	183	169	66
65-125	1	100	65	100	385	160	180	65	16	125	95	280	212	14	285	24	50	27	8	145	117	54
*65-160	1	100	65	100	395	160	200	65	16	125	95	280	212	14	295	24	48	27	8	160	130	57
65-200	2	100	65	100	500	180	225	65	18	125	95	320	250	14	370	32	80	35	10	174	152	62
65-250	2	100	65	125	500	200	250	80	20	160	120	360	280	18	370	32	80	35	10	195	175	75
*80-160	1	125	80	125	395	180	225	65	16	125	95	320	250	14	295	24	48	27	8	186	142	62
80-200	2	125	80	125	500	180	250	65	18	125	95	345	280	14	370	32	80	35	10	188	158	63
80-250	2	125	80	125	500	225	280	80	20	160	120	400	315	18	370	32	80	35	10	225	185	82
100-200	2	125	100	125	500	200	280	80	20	160	120	360	280	18	370	32	80	35	10	211	170	78

(\*)Non unificate secondo ISO 2858  
Not to ISO 2858 standards



FLANGE: Dimensioni secondo UNI 2223 - 2229 PN16  
FLANGES: Dimensions to UNI 2223-2229 NP16 standards

Dimensioni flange Flanges dimensions				
DNa-DNm	D	K	P	N° fori holes
25	115	85	14	4
32	140	100	18	4
40	150	110	18	4
50	165	125	18	4
65	185	145	18	4
80	200	160	18	8
100	220	180	18	8
125	250	210	18	8

Conessioni Connections			
	gr.1	gr.2	
d5	G 1/4	G 1/4	
d6	Pompa - Pump	G 1/4	
		25-125	G 1/8
		25-160	G 1/8
		100-200	-