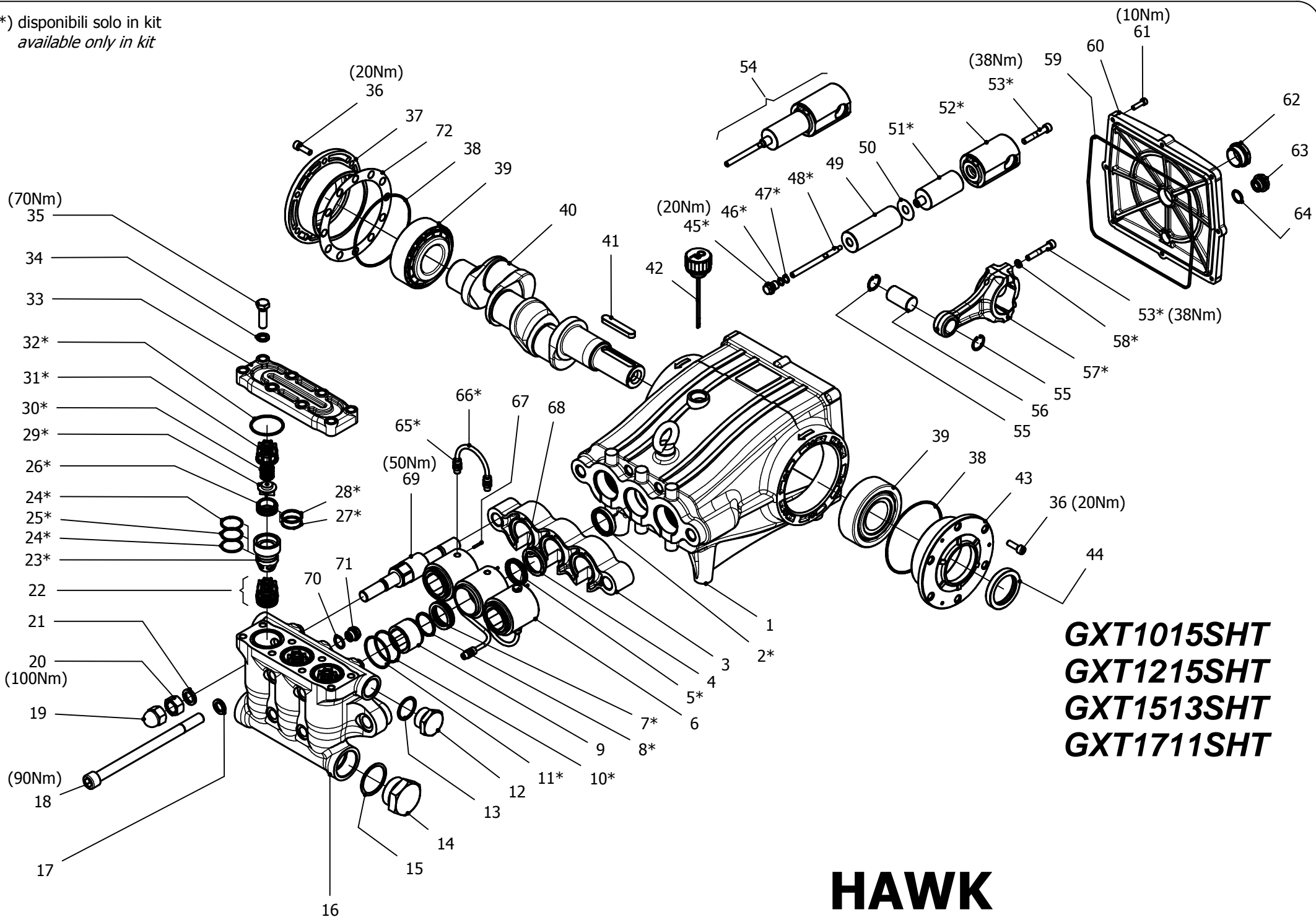


(*) disponibili solo in kit
available only in kit



GXT1015SHT
GXT1215SHT
GXT1513SHT
GXT1711SHT

HAWK
serie GXT HT 2017

GXT HT SERIES 2017

MAINTENANCE KIT / KIT MANUTENZIONE

KIT	Item - Pos	Part Number - Codice	Description	Descrizione	Q.TY per pump - Q.TA per pompa	GXT1015SHT	GXT1215SHT	GXT1513SHT	GXT1711SHT
A	5-7-8-9-10-11	9.853-354.0	PISTON SEAL PACKING Ø36	GUARNIZIONI PISTONE Ø36	1				
B	45-46-47-49-50	1.904-473.0	PLUNGER Ø36	PISTONE Ø36	3				
C	38-44-59-62-63-64	1.904-474.0	KIT CRANCKASE SEALS	KIT TENUTE CARTER	1				
D	17-18-19-20-21	1.904-472.0	MANIFOLD SCREWS	VITI TESTATA	1				
E	45-46-47-50-53-54-55-56-57-58	1.904-475.0	PLUNGER ROD-CONNECTING ROD	ASTA PISTONE-BIELLA	3	•	•	•	•
F	65-66	1.904-477.0	COMPLETE CIRCULATION PIPES	TUBI RICIRCOLO	1				
G	22 (26-27-28-29-30-31) 23-24-25-32	1.904-470.0	COMPLETE VALVE	VALVOLE COMPLETE	1				
H	22 (26-27-28-29-30-31) 24-25-32	1.904-471.0	VALVE	VALVE	1				
I	2	1.904-478.0	PLUNGER OIL SEALS	TENUTE OLIO ASTA PISTONE	1				

“Q.TY per pump” => Necessary quantity to repair one pump
 “Q.TA’ per pompa” => Quantità necessaria per riparare una pompa

IMPORTANT

IMPORTANTE

* Part available **ONLY** in kit
 Disponibile **SOLO** in kit

(...) Parts pre-assembled
 Parti pre-assemblate

PARTS LIST LISTA PARTI

Item Pos	Part Number Codice	Description	Descrizione	Kit	Q.TY Q.TA	GXT1020SHT	GXT1215SHT	GXT1515SHT	GXT1712SHT
1	9.850-372.0	CRANCKCASE	CARTER		1				
2*	9.850-019.0	OIL SEAL HNBR	ANELLO RADIALE HNBR	I	3				
3	9.850-361.0	SPACER	DISTANZIALE CARTER		1				
4	9.851-930.0	SUPPORT RING Ø36	PRESSORE Ø36		3				
5*	9.853-193.0	"U" LP SEAL HT Ø36	TENUTA BASSA PRESSIONE HT Ø36	A	3				
6	9.853-380.0	INTERMEDIATE RING Ø36	DIFFUSORE Ø36		3				
7*	9.853-390.0	"U" HP SEAL HT Ø36	TENUTA ALTA PRESSIONE HT Ø36	A	3				
8*	9.850-340.0	SCRAPER Ø36	RASCHIATORE PISTONE Ø36	A	3				
9*	9.850-341.0	BUSH GUIDE Ø36	BOCCOLA GUIDA Ø36	A	3				
10*	9.850-304.0	BACK RING OR3200	ANELLO ANTIESTR. OR3200	A	3				
11*	9.850-792.0	O-RING 3200 – NBR90	O-RING 3200 – NBR90	A	3				
12	9.851-356.0	PLUG G1"	TAPPO G1"		1				
13	9.850-752.0	COPPER WASHER G1"	GUARNIZIONE G1"		1				
14	9.853-383.0	PLUG G1" 1/2	TAPPO G1" 1/2		1				
15	9.850-753.0	COPPER WASHER G1" ½	GUARNIZIONE G1" 1/2		1				
16	9.853-384.0	MANIFOLD	TESTATA		1				
17*	9.851-161.0	WASHER M16	ROSETTA M16	D	4				
18*	9.851-498.0	SCREW M16x240	VITE TCEI M16x240	D	4				
19*	9.850-577.0	NUT M18	DADO M18 CIECO	D	2				
20*	9.850-576.0	NUT M18	DADO M18	D	2				
21*	9.851-156.0	WASHER M18	ROSETTA ELASTICA M18	D	2				
22*	1.904-496.0	VALVE ASSEMBLY	PREMONATATO VALVOLA	G - H	6				
23*	9.850-773.0	VALVE SPACER	DISTANZIALE VALVOLA	G	3				
24*	9.850-303.0	BACK RING OR3118	ANELLO ANTIESTR. OR3118	G - H	6				
25*	9.850-799.0	O-RING 3118 – NBR90	O-RING 3118 – NBR90	G - H	3				
26*	9.851-246.0	VALVE SEAT	SEDE VALVOLA	G - H	6				
27*	9.850-306.0	BACK RING OR3112	ANELLO ANTIESTR. OR3112	G - H	6				
28*	9.850-800.0	O-RING 3112 – NBR90	O-RING 3112 – NBR90	G - H	6				
29*	9.851-075.0	VALVE PLATE	PIATTELLO VALVOLA	G - H	6				
30*	9.851-898.0	SPRING	MOLLA	G - H	6				
31*	9.850-772.0	VALVE CAGE	GABBIA VALVOLA	G - H	6				
32*	9.850-790.0	O-RING 3193 – NBR90	O-RING 3193 – NBR90	G - H	3				
33	9.853-378.0	MANIFOLD COVER	COPERCHIO TESTATA		1				
34	9.851-140.0	WASHER M12	ROSETTA M12		8				
35	9.851-518.0	SCREW M12x40	VITE TE M12x40		8				
36	9.851-468.0	SCREW M8x25	VITE TCEI M8x25		12				
37	9.850-646.0	CLOSED HOUSING	FLANGIA CHIUSA		1				
38*	9.850-666.0	O-RING 3475 – NBR70	O-RING 3475 – NBR70	C	2				

Item Pos	Part Number Codice	Description	Descrizione	Kit	Q.TY Q.TA	GXT1020SHT	GXT1215SHT	GXT1515SHT	GXT1712SHT
39	9.850-353.0	BEARING	CUSCINETTO		2	•	•	•	•
40	9.851-901.0	CRANKSHAFT "A"	ALBERO "A"		1				•
	9.851-915.0	CRANKSHAFT "B"	ALBERO "B"		1	•			
	9.853-097.0	CRANKSHAFT "E"	ALBERO "E"		1		•		
	9.851-879.0	CRANKSHAFT "F"	ALBERO "F"		1			•	
41	9.850-449.0	CRANKSHAFT KEY	CHIAVETTA		1				
42	9.851-284.0	OIL DIP STICK G3/4	TAPPO SFIATO OLIO G3/4		1				
43	9.850-645.0	BEARING HOUSING	FLANGIA APERTA		1				
44*	9.850-012.0	OIL SEAL	ANELLO RADIALE	C	1				
45*	9.850-578.0	PLUNGER NUT	DADO PISTONE	B - E	3				
46*	9.850-783.0	O-RING 2037 - NBR70	O-RING 2037 - NBR70	B - E	3				
47*	9.850-305.0	BACK RING OR2037	ANELLO ANTIESTR. OR2037	B - E	3				
48*	9.851-460.0	PLUNGER SCREW	TIRANTE PISTONE	E	3				
49*	9.850-991.0	PLUGER Ø36	PISTONE Ø36	B	3				
50*	9.851-143.0	PLUGER WASHER	ROSETTA PISTONE	B - E	3				
51*	9.851-896.0	PLUNGER ROD SPACER	DISTANZIALE ASTA	E	3				
52*	9.850-106.0	PLUNGER ROD	ASTA PATTINO	E	3				
53*	9.851-496.0	SCREW M8x50	VITE TCEI M8x50	E	9				
54*	1.904-498.0	ASSEMBLY PLUNGER ROD	PREMONATATO ASTA PISTONE	E	3				
55*	9.851-206.0	SEEGER	ANELLO SEEGER	E	6				
56*	9.851-210.0	CONNECTING ROD PIN	SPINOTTO	E	3	•	•	•	•
57*	9.850-315.0	CONNECTING ROD	BIELLA	E	3				
58*	9.851-158.0	WASHER M8	ROSETTA ELASTICA M8	E	6				
59*	9.850-797.0	O-RING Ø2,62x255 - NBR90	O-RING Ø2,62x255 - NBR90	C	1				
60	9.850-395.0	CRANCKCASE COVER	COPERCHIO CARTER		1				
61	9.851-480.0	SCREW M6x22	VITE TCEI M6x22		8				
62*	9.850-809.0	SIGHT GLASS G1"	SPIA LIVELLO G1"		1				
63*	9.851-304.0	PLUG G1/2	TAPPO G1/2	C	1				
64*	9.850-673.0	O-RING 3068 - NBR70	O-RING 3068 - NBR70	C	1				
65*	9.851-187.0	FITTING G1/8-6/4	RACCORDO G1/8-6/4	C	6				
66*	9.851-428.0	RED RILSAN PIPE 6/4	TUBO RILSAN 6/4 ROSSO	F	3				
67	9.851-256.0	PIN	SPINA CILINDRICA		3				
68	9.851-353.0	PLUG G1/8	TAPPO G1/8		1				
69	9.851-937.0	MANIFOLD SCREW	TIRANTE TESTATA		2				
70	9.850-747.0	COPPER WASER G3/8	GUARNIZIONE RAME G3/8		3				
71	9.851-346.0	PLUG G3/8	TAPPO G3/8		3				
72	9.850-549.0	SHIM	DISTANZIALE FLANGIA		1				