

DIMENSIONI D'INGOMBRO

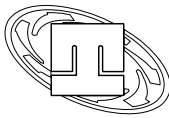
Overall dimensions

POMPE PER VUOTO AD ANELLO DI LIQUIDO

Liquid ring vacuum pumps

TIPO

Type TRSK 2002÷5005/1-B



**pompetravaini** s.p.a.

CASTANO PRIMO (MILANO)

pag. 1/2

Versione ad ASSE NUDO – BARESHAFT construction

Z2

Ingresso flussaggio dall'esterno per tenute a baderna  
Packed stuffing boxes flushing inlet from outside

DNM

Scarico gas  
Gas discharge

DNA

Aspirazione gas  
Gas suction

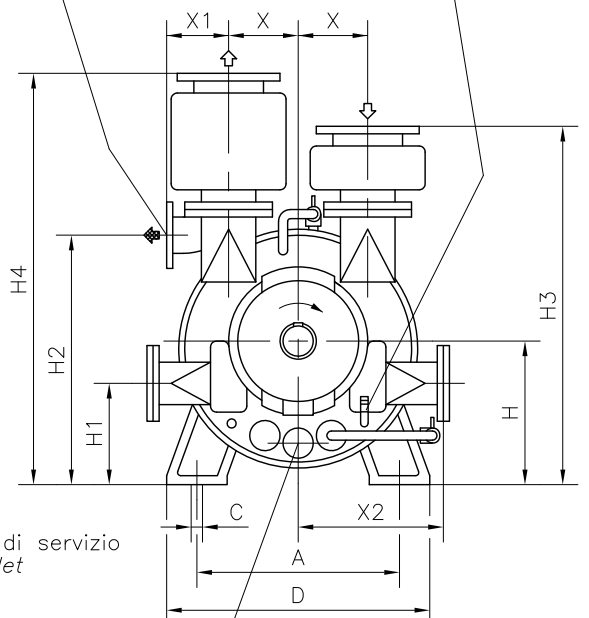
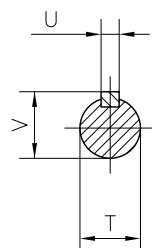
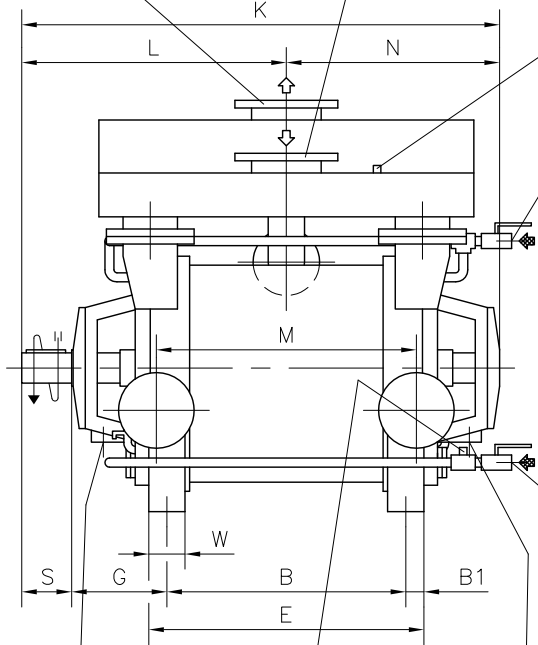
G1/2

Connessione per vuotometro  
Vacuum gauge connection

Z1

Uscita liquido di servizio  
Service liquid outlet

Valvola automatica di drenaggio  
Automatic drain valve



Z

Ingresso liquido di servizio  
Service liquid inlet

Z4

Connessioni per flussaggio e drenaggio  
Flushing and drain connections

Z3

Connessione per perdita tenute a baderna  
Packed stuffing boxes leakage connection

G1/2

Connessione per manovuotometro  
Mano vacuum gauge connection

FLANGE SECONDO UNI 2223-2229-PN 10  
Flanges according to UNI 2223-2229-NP 10



POMPA TIPO Pump model	DNA	DNM	A	B	B1	C	D	E	G	H	H1	H2	H3	H4	K	L	M	N								
TRSK 2002/1-B				790				895							1580	873	864	707								
TRSK 2004/1-B	DN 200	DN 200	670	990	52,5	35	870	1095	315	475	335	825	1185	1360	1780	973	1064	807								
TRSK 2005/1-B				900				1005															1695	930	980	765
TRSK 2502/1-B				1150	60			1000							1270								1985	1075	1240	910
TRSK 2505/1-B	DN 250	DN 250	800	1050				1170	335	560	395	930	1370	1570	1885	1025	1140	860								
TRSK 3000/1-B				1300	72	1110	1444														2135	1150	1390	985		
TRSK 3002/1-B				1110		42	1200	1240	355	670	475	1120	1625	1865	2170	1188	1210	982								
TRSK 3004/1-B	DN 300	DN 300	950	1480	65			1610															2540	1373	1580	1167
TRSK 3005/1-B				1260				1390							1830								2170	1185	1360	985
TRSK 3006/1-B				1700			1665						1665	1950	2485	1342	1675	1143								
TRSK 3500/1-B				1575	45	42	1370	1820	375	800	560	1335	1875	2160	2655	1450	1810	1205								
TRSK 3504/1-B	DN 350	DN 350	1120	1670	75			1600							1970								2435	1340	1590	1095
TRSK 3505/1-B				1820				1700							1875								2805	1525	1780	1280
TRSK 4000/1-B				1700		48	1620	1875	400	950	665	1555	2220	2560	2730	1488	1880	1242								
TRSK 4002/1-B	DN 400	DN 400	1320	1950	87,5			2125															2980	1613	2130	1367
TRSK 4004/1-B				1700				1875							2304								2730	1488	1880	1242
TRSK 4005/1-B	DN 450	DN 450		2129			2220					1550	2285	2688	3159	1705	2309	1454								
TRSK 5002/1-B				2020		48	1900	2480	450	1120	790	1835	2560	2965	3185	1735	2230	1450								
TRSK 5004/1-B	DN 500	DN 500	1600	2280	100			2220															3445	1865	2490	1580
TRSK 5005/1-B				2020				2220															3185	1735	2230	1450
TRSK 5008/1-B				2490				2690															3655	1975	2700	1680

DISEGNO SCHEMATICO – DIMENSIONI IN MM. CON TOLLERANZE SECONDO EN 735-1995 E PESI IN KG. NON IMPEGNATIVI  
Schematic drawing – Dimensions in mm. with tolerances according to EN 735-1995 and weights in kgs. not binding

RIF. – Ref.: F.P./C.T.

SOSTITUISCE – Replaces: 8315÷8544.OA1.201.04.A

DATA – Date: APRILE 2015 – April 2015

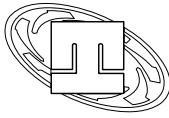
N°.: 8315÷8544.OA1.201.05.A

DIMENSIONI D'INGOMBRO

Overall dimensions

POMPE PER VUOTO AD ANELLO DI LIQUIDO  
Liquid ring vacuum pumps

TIPO  
Type TRSK 2002÷5005/1-B

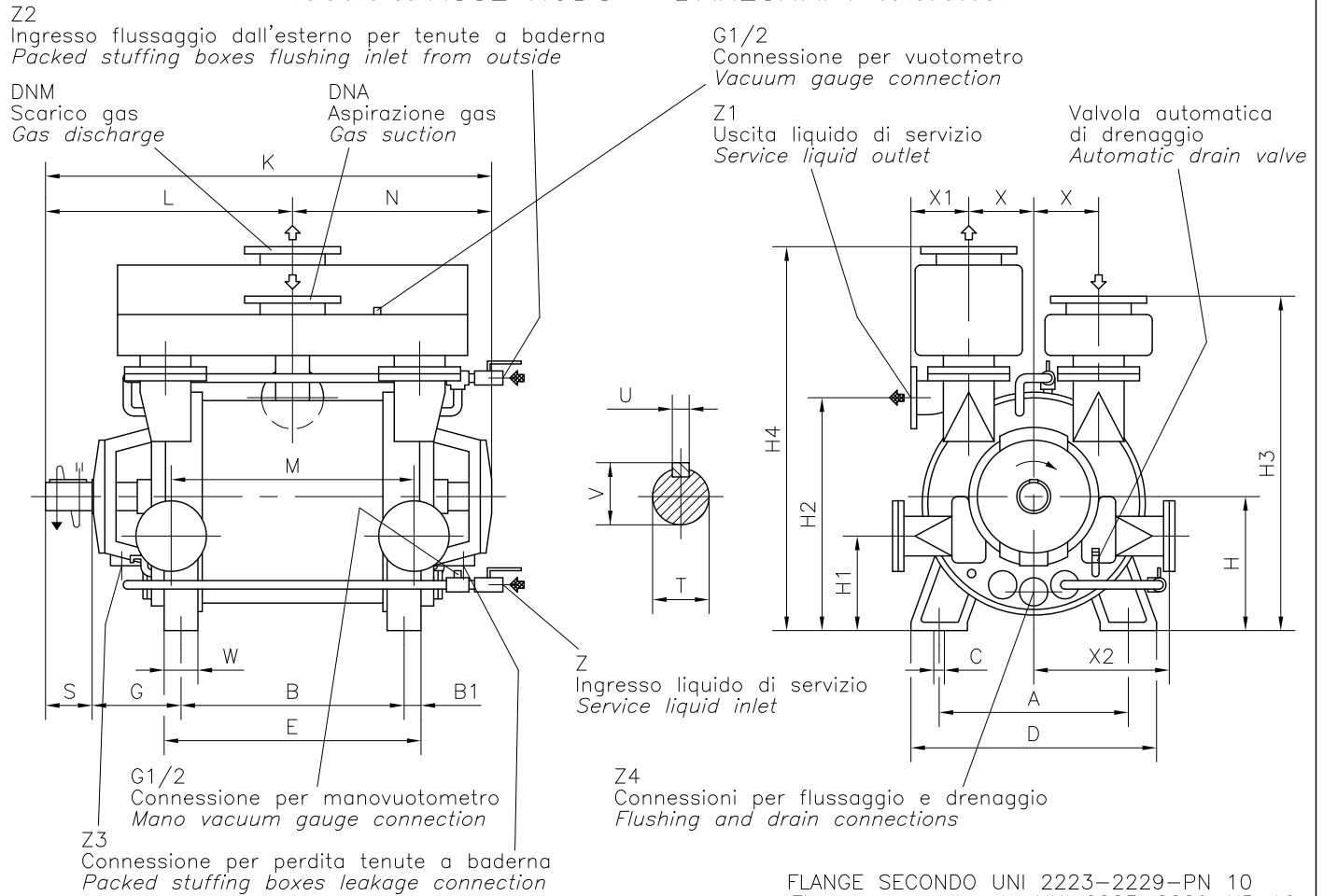


**pompetravaini** S.p.A.

CASTANO PRIMO (MILANO)

pag. 2/2

Versione ad ASSE NUDO – BARESHAFT construction



POMPA TIPO Pump model	S	T	U	V	W	X	X1	X2	Z	Z1	Z2	Z3	Z4	PESO Weight
TRSK 2002/1-B	165	100	28	106	105	230	205	480	G 1 1/2	DN 100	G 3/4	G 1/2	DN 32	1500
TRSK 2004/1-B					1600									
TRSK 2005/1-B					1500									
TRSK 2502/1-B					2400									
TRSK 2505/1-B					2200									
TRSK 3000/1-B					3050									
TRSK 3002/1-B	200	140	36	148	130	335	285	685	G 1 1/2	DN 150	G 1 1/4	G 3/4	DN 40	3500
TRSK 3004/1-B					3800									
TRSK 3005/1-B					3400									
TRSK 3006/1-B					4000									
TRSK 3500/1-B					4350									
TRSK 3504/1-B					5500									
TRSK 3505/1-B					5100									
TRSK 4000/1-B					6560									
TRSK 4002/1-B					8000									
TRSK 4004/1-B					8500									
TRSK 4005/1-B	240	180	45	190	175	435	370	875	DN 80	DN 200	G 1	DN 25	DN 50	7900
TRSK 4504/1-B					10200									
TRSK 5002/1-B					11500									
TRSK 5004/1-B					12300									
TRSK 5005/1-B	280	200	210	200	490	490	1025	1025	DN 80	DN 200	G 1	DN 25	DN 65	11500
TRSK 5008/1-B					13950									

DISEGNO SCHEMATICO – DIMENSIONI IN MM. CON TOLLERANZE SECONDO EN 735-1995 E PESI IN KG. NON IMPEGNATIVI  
Schematic drawing – Dimensions in mm. with tolerances according to EN 735-1995 and weights in kgs. not binding

RIF. – Ref.: F.P./C.T. SOSTITUISCE – Replaces: 8315÷8544.OA1.201.03.B

DATA – Date: APRILE 2015 – April 2015 N°.: 8315÷8544.OA1.201.04.B